

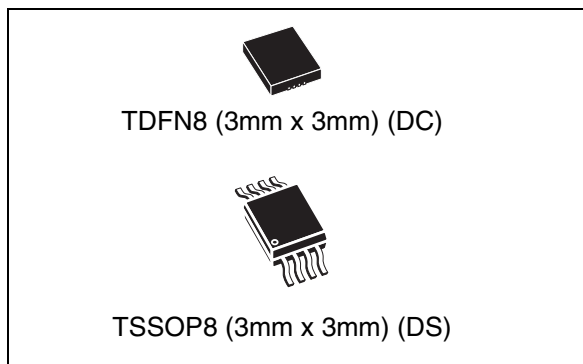
I²C LCD VCOM calibrator

Features

- I²C interface, slave address: 1001111
- 7-bit adjustable sink current output
- 2.25V to 3.6V logic supply voltage V_{DD}
- AV_{DD} operating voltages
 - 4.5V to 20V for V_{DD} from 2.6V to 3.6V
 - 4.5V to 13V for V_{DD} from 2.25V to 3.6V
- EEPROM for storing the optimum V_{COM} setting
- Guaranteed monotonic output over operating range
- 400kHz maximum interface bus speed
- Operating temperature: –40°C to 85°C
- Available in an 8-pin 3mm x 3mm TDFN8 or 3mm x 3mm TSSOP8 Package

Applications

- TFT-LCD panels



Description

The STVM100 is a programmable VCOM adjustment solution for thin-film transistor (TFT) liquid-crystal displays (LCDs) to remove “flickers”. It can replace a mechanical potentiometer, so that the factory operator can physically view the front screen when performing the VCOM adjustment. This significantly reduces labor costs, increases reliability, and enables automation.

STVM100 provides a digital I²C interface to control the sink current output (I_{OUT}). This output drives an external resistive voltage divider, which can then be applied to an external V_{COM} buffer. Three external resistors R₁, R₂, and R_{SET} determine the highest and lowest value of the V_{COM}. An increase in the output sink current will lower the voltage on the external divider so that the V_{COM} can be adjusted by 128 steps within this range. Once the desired V_{COM} setting is achieved, it can be stored in the internal EEPROM that will be automatically recalled during each power-up.

STVM100 is available in an 8-pin, 3mm x 3mm TDFN8 or 3mm x 3mm TSSOP8 package.

Table 1. Device summary

Order code	Optimum temperature range	Package	Packing
STVM100DC6E	–40°C to 85°C	TDFN	ECOPACK package, tubes
STVM100DS6F	–40°C to 85°C	TSSOP	ECOPACK package, tape and reel

Contents

1	Device overview	5
2	Device operation	7
2.1	2-wire bus characteristics and conditions	7
2.1.1	Bus not busy	7
2.1.2	Start data transfer	7
2.1.3	Stop data transfer	7
2.1.4	Data valid	8
2.1.5	Acknowledge	9
2.2	Read mode	10
2.3	Write mode	10
2.4	V _{DD} power supply ramp-up	10
3	Application information	11
4	Maximum rating	13
5	DC and AC parameters	14
6	Typical operating characteristics	17
7	Package mechanical	23
8	Part numbering	25
9	Revision history	26

List of tables

Table 1.	Device summary	1
Table 2.	Pin names and functions	5
Table 3.	Bit P read and write mode values	10
Table 4.	Absolute maximum ratings	13
Table 5.	Operating and AC measurement conditions	14
Table 6.	Capacitances	14
Table 7.	DC and AC characteristics	15
Table 8.	AC characteristics	16
Table 9.	MLPD-DFN 3 x 3 x .75mm, pitch 0.65, package mechanical data	23
Table 10.	TSSOP8 – 8-lead, thin shrink small outline, 3mm x 3mm, mech. data	24
Table 11.	Ordering information scheme	25
Table 12.	Revision history	26

List of figures

Figure 1.	Logic diagram	5
Figure 2.	Connections diagram	6
Figure 3.	Block diagram	6
Figure 4.	Hardware hookup	6
Figure 5.	Serial bus data transfer sequence	8
Figure 6.	Acknowledgement sequence	9
Figure 7.	Read/write mode sequence	10
Figure 8.	R_1 , R_2 , and R_{SET} connection	11
Figure 9.	Bus timing requirements sequence	16
Figure 10.	V_{DD} supply current v's V_{DD}	17
Figure 11.	AV_{DD} supply current v's AV_{DD}	17
Figure 12.	V_{DD} supply current v's temperature	18
Figure 13.	AV_{DD} supply current v's temperature	18
Figure 14.	I_{OUT} error v's temperature (STVM100 at middle scale)	19
Figure 15.	Total unadjusted error v's DAC setting	19
Figure 16.	Differential non-linearity v's DAC setting	20
Figure 17.	Integral non-linearity v's DAC setting	20
Figure 18.	AV_{DD} power-up response	21
Figure 19.	Full scale-up response	21
Figure 20.	Full scale-down response	22
Figure 21.	MLPD-DFN 3 x 3 x.75mm, pitch 0.65, package mechanical data	23
Figure 22.	TSSOP8 – 8-lead, thin shrink small outline, 3mm x 3mm, mech. data.	24

1 Device overview

Figure 1. Logic diagram

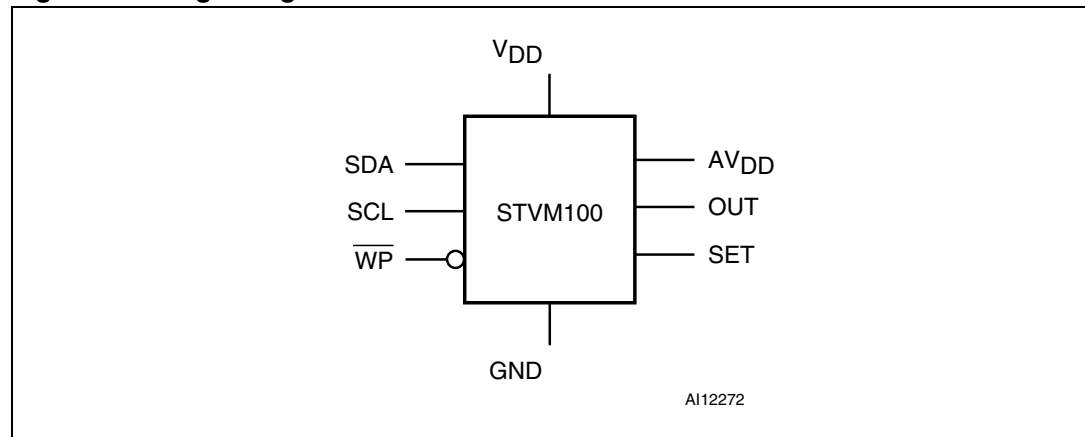


Table 2. Pin names and functions

Name	Type	Function
OUT	Analog	Adjustable sink current output pin. ⁽¹⁾ See Section 3: Application information on page 11 .
AV _{DD}	Supply	High-voltage analog supply. Bypass to GND with a 0.1μF capacitor.
\overline{WP}	Input	WRITE protection. Active-low. To enable write operations to the DAC or to the EEPROM writing, connect to 0.7V _{DD} or greater. Internally pulled down by a 130kΩ resistor.
GND		Supply ground.
V _{DD}	Supply	System power supply input. Bypass to GND with a 0.1μF capacitor.
SDA	In/Out	I ² C serial data input/output.
SCL	Input	I ² C serial clock input.
SET	Analog	Maximum sink current adjustment point. Connect a resistor from SET to GND to set the maximum adjustable sink current of the OUT pin. The maximum adjustable sink current is equal to AV _{DD} /20 divided by R _{SET} (see Figure 4 on page 6).

1. See SET pin function in this table for the maximum adjustable sink current setting.

Figure 2. Connections diagram

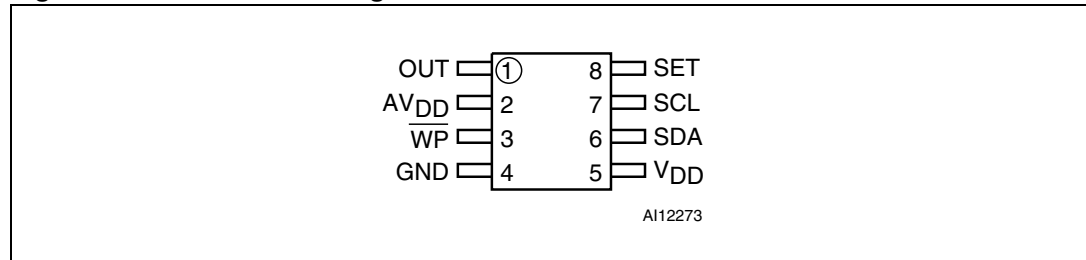


Figure 3. Block diagram

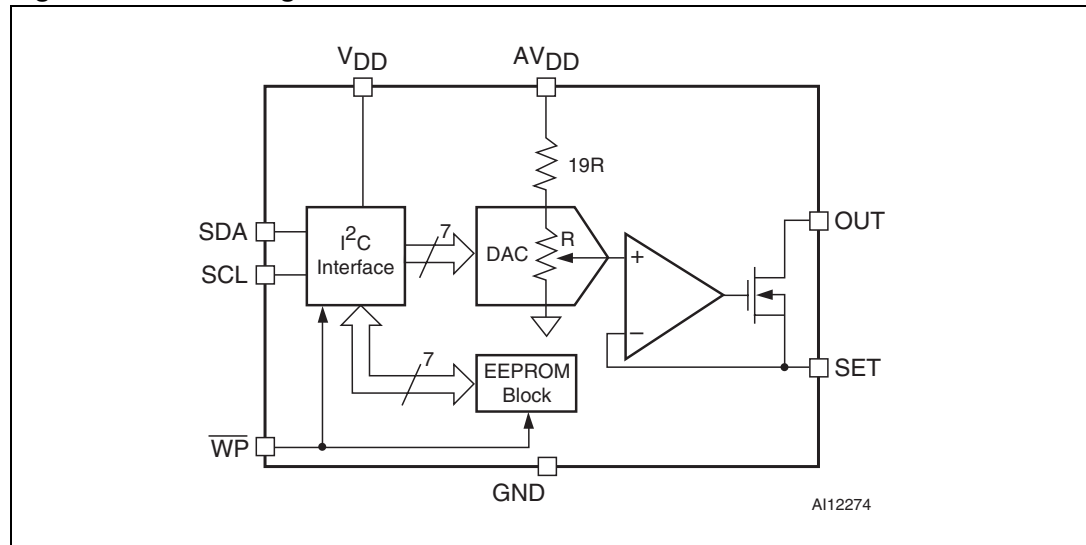
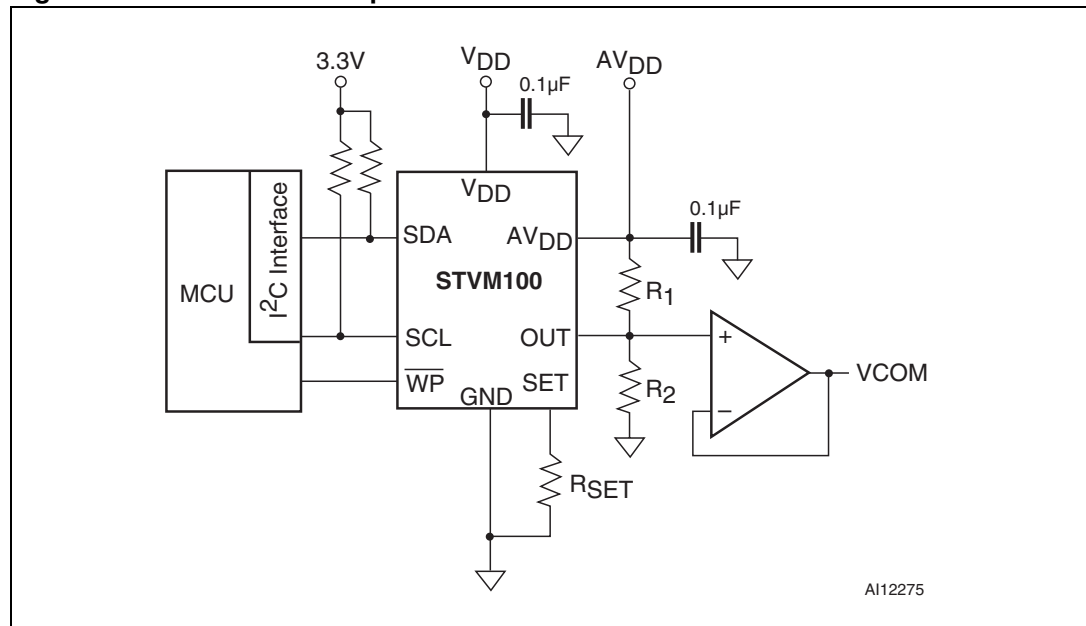


Figure 4. Hardware hookup



2 Device operation

The STVM100 operates as a slave device on the serial bus. Access is obtained by implementing a Start condition, followed by the 7-bit slave address (1001111), and the eighth bit for READ/WRITE identification. The volatile DAC register and non-volatile EEPROM values can be read out or written in.

2.1 2-wire bus characteristics and conditions

This bus is intended for communication between different ICs. It consists of two lines:

- a bi-directional data signal (SDA).
- a clock signal (SCL).

The SDA and SCL lines must be connected to a positive supply voltage via a pull-up resistor. The following protocols have been defined:

- Data transfer may be initiated only when the bus is not busy.
- During data transfer, the data line must remain stable whenever the clock line is high.
- Changes in the data line while the clock line is high will be interpreted as control signals.

2.1.1 Bus not busy

Both data and clock lines remain High.

2.1.2 Start data transfer

A change in the data line state from high-to-low while the clock is high indicate the Start condition.

2.1.3 Stop data transfer

A change in the data line state from low-to-high while the clock is high indicates the Stop condition.

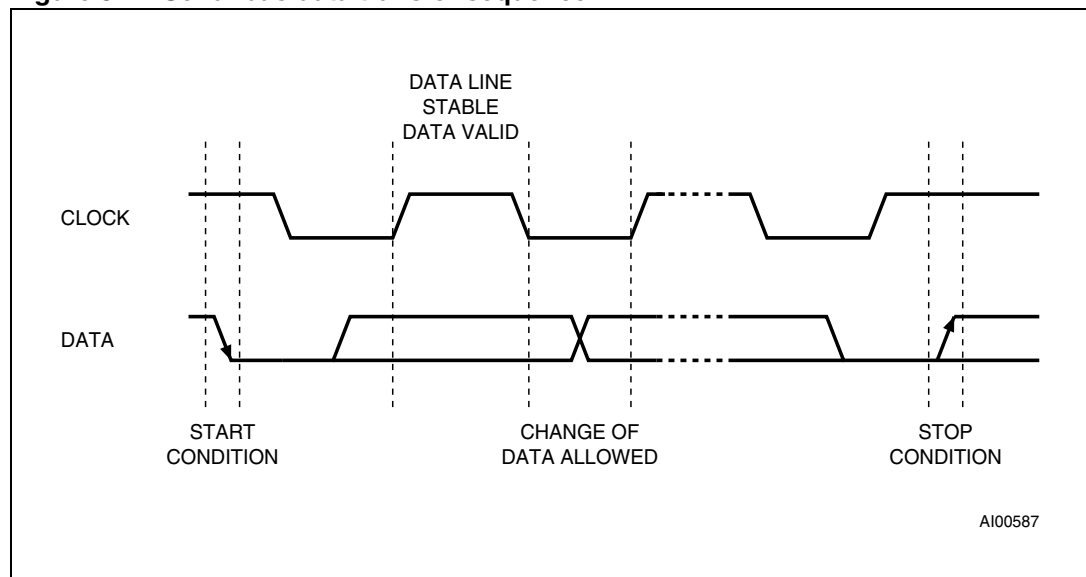
2.1.4 Data valid

The data on the SDA line must be stable during the HIGH period of the clock. The HIGH or LOW state of the data line can only change when the clock signal on the SCL line is low (see [Figure 5](#)). The data on the line may be changed during the clock signal low period. There is one clock pulse per bit of data.

Each data transfer is initiated with a Start condition and terminated with a Stop condition. The number of data bytes transferred between the Start and Stop conditions is not limited. The information is transmitted byte-wide and each receiver acknowledges transmission with a ninth bit.

By definition, the device that gives out a message is called “transmitter”, the device that gets the message is called “receiver”. The device that controls the message is called the “master”. The devices controlled by the master are called “slave” devices.

Figure 5. Serial bus data transfer sequence

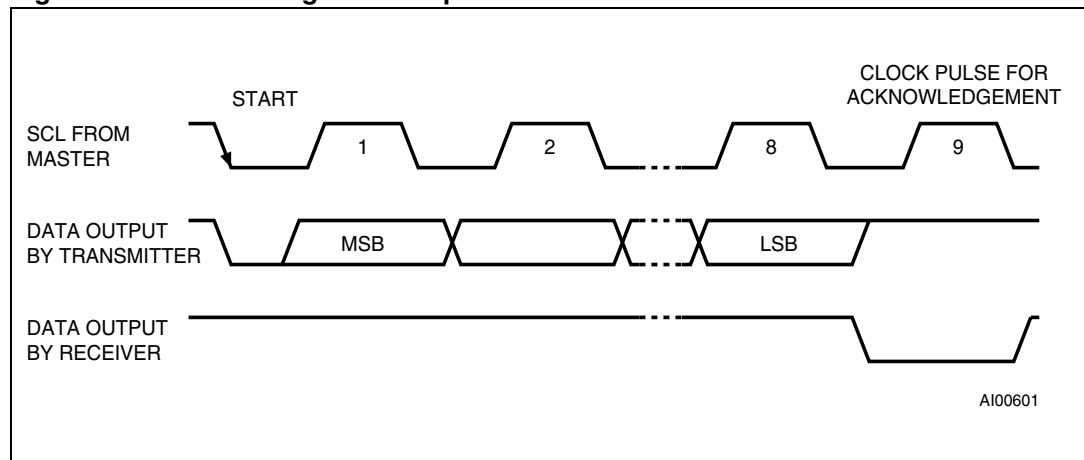


2.1.5 Acknowledge

Each byte of eight bits is followed by one Acknowledge bit. This Acknowledge bit is a low level signal put on the bus by the receiver, whereas the master generates an extra acknowledge-related clock pulse (see [Figure 6](#)). A slave receiver which is addressed is obliged to generate an acknowledge signal after the reception of each byte that has been clocked out of the slave transmitter.

The device that acknowledges transmissions has to pull down the SDA line during the acknowledge clock pulse in such a way, that the SDA line is a stable low during the high period of the acknowledge-related clock pulse. The setup and hold times must be taken into account. A master receiver must signal an end of transmitted data to the slave transmitter by not generating an acknowledge on the last byte that has been clocked out of the slave. In this case, the transmitter must leave the data line high to enable the master to generate the Stop condition.

Figure 6. Acknowledgement sequence



2.2 Read mode

In READ mode, after the Start condition, the master sets the slave address (see [Figure 7](#)). Followed by the READ/WRITE Mode Control bit ($R/\overline{W}=1$) and the Acknowledge bit, the value in DAC register will be transmitted and the master receiver will send an Acknowledge bit to the slave transmitter. Finally the Stop condition will terminate the READ operation. In READ mode, the valid data is the first 7 bits and the P bit (the eighth bit) is don't care.

2.3 Write mode

In WRITE mode the master transmits to the STVM100 slave receiver. The bus protocol is shown in [Figure 7](#). Following the Start condition and slave address, a logic '0' ($R/\overline{W} = 0$) is placed on the bus to identify a WRITE operation. After the acknowledgement by the slave, the data will be transmitted to the slave with the 7-bit which indicates the data is valid as well as the eighth bit "P" for the register's identification. When $P = 1$, the DAC register is written to, and when $P = 0$, the EEPROM is written to (Programming). After receiving the data, the slave will generate an acknowledge signal, then a Stop condition will terminate the WRITE operation. STVM100 is pre-programmed with 80H in the EEPROM after manufacturing.

A period of t_W (see [Table 8](#)) is needed for EEPROM programming. During this period, the slave will not acknowledge any WRITE operation.

The bit P values in both READ and WRITE modes are shown in [Table 3](#).

Figure 7. Read/write mode sequence

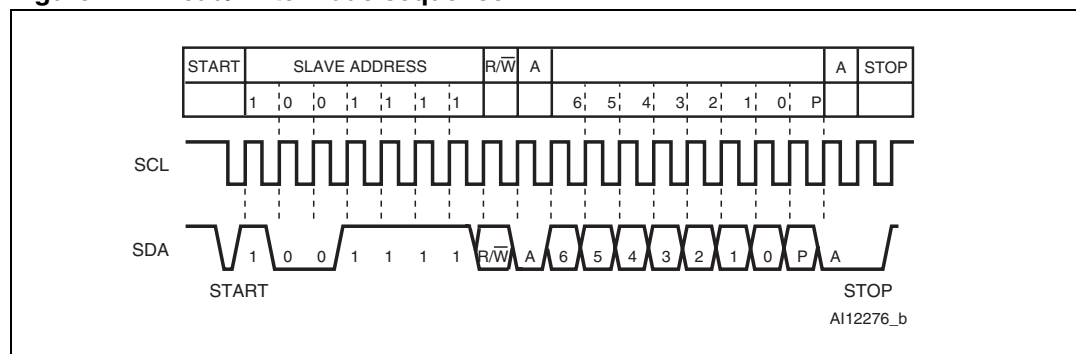


Table 3. Bit P read and write mode values

Operation	P-bit value	Description
READ	X	Don't care
WRITE	1	DAC register WRITE
	0	EEPROM WRITE (programming)

2.4 V_{DD} power supply ramp-up

The ramp-up from 10% V_{DD} to 90% V_{DD} level should be achieved in less than or equal to 10ms to ensure that the EEPROM and power-on reset circuits are synchronized, and the correct value is read from the EEPROM.

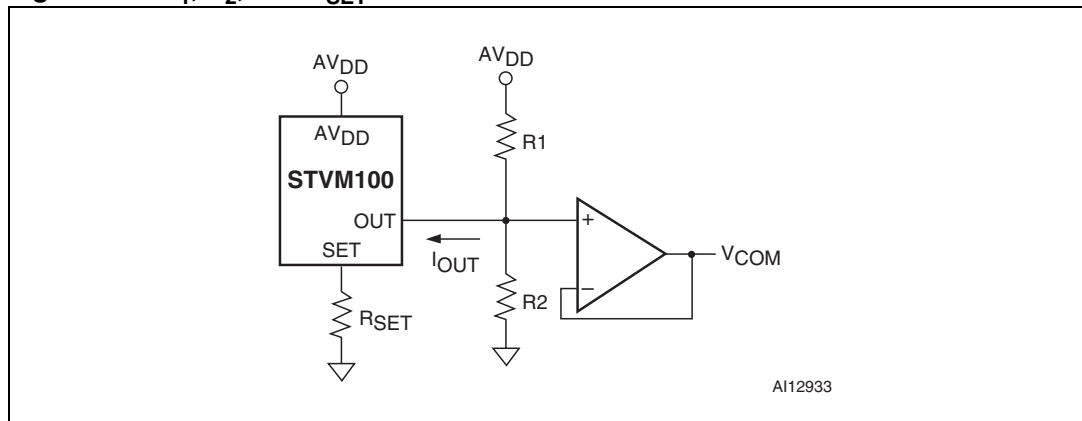
3 Application information

The STVM100 is a programmable V_{COM} calibrator for the TFT-LCD to remove flickers. It provides a digital I²C interface to control the sink current output. This output drives an external resistive voltage divider, which can then be applied to an external V_{COM} buffer.

The highest and lowest V_{COM} value is determined by three resistors, R_1 , R_2 , and R_{SET} . The connection is shown in [Figure 8](#).

The sink current from the STVM100 OUT pin is given in [Equation 1](#). This current then flows through R_{SET} . This current must be less than 120 μ A (see I_{SET} value in [Table 7 on page 15](#)).

Figure 8. R_1 , R_2 , and R_{SET} connection



Equation 1

$$I_{OUT} = \frac{D+1}{128} \cdot \frac{AV_{DD}}{20(R_{SET})}$$

Note: “D” is a user-selected value, an integer ranging from 0 to 127.

The V_{COM} value can be obtained in [Equation 2](#).

Equation 2

$$V_{COM} = \frac{R_2}{R_1 + R_2} \cdot AV_{DD} \left(1 - \frac{D+1}{128} \cdot \frac{R_1}{20(R_{SET})} \right)$$

If the user-selected value is 0 (zero scale), the minimum current is sunk. The maximum V_{COM} value is obtained in [Equation 3](#).

Equation 3

$$V_{\text{COM(max)}} = \frac{R_2}{R_1 + R_2} \cdot AV_{\text{DD}} \left(1 - \frac{1}{128} \cdot \frac{R_1}{20(R_{\text{SET}})} \right)$$

If the user-selected value is 127 (full scale), the maximum current is sunk and the minimum V_{COM} value is obtained in [Equation 4](#).

Equation 4

$$V_{\text{COM(min)}} = \frac{R_2}{R_1 + R_2} \cdot AV_{\text{DD}} \left(1 - \frac{R_1}{20(R_{\text{SET}})} \right)$$

During operation, the $V_{\text{COM(max)}}$ and $V_{\text{COM(min)}}$ range is set, based on different TFT-LCD processes. The R_1 value is given based on the acceptable power loss from the AV_{DD} supply rail. Using [Equation 3](#) and [Equation 4](#), the R_2 and R_{SET} values can be calculated. If R_{SET} is put into [Equation 1 on page 11](#) and maximum $I_{\text{OUT}} \geq 120\mu\text{A}$, then R_1 should be increased.

4 Maximum rating

Stressing the device above the ratings listed in the “Absolute Maximum Ratings” table may cause permanent damage to the device. These are stress ratings only and operation of the device at these or any other conditions above those indicated in the Operating sections of this specification is not implied. Exposure to Absolute Maximum Rating conditions for extended periods may affect device reliability. Refer also to the STMicroelectronics SURE Program and other relevant quality documents.

Table 4. Absolute maximum ratings

Symbol	Parameter	Value	Unit	
T_{STG}	Storage temperature (V_{DD} Off, AV_{DD} Off)	-55 to 150	°C	
$T_{SLD}^{(1)}$	Lead solder temperature for 10 seconds	260	°C	
T_J	Maximum junction temperature (plastic package)	150	°C	
V_{OUT}	Output voltage (OUT pin to GND)	-0.3 to 20	V	
V_{DD}	V_{DD} to GND	+5.5	V	
AV_{DD}	AV_{DD} input voltage to GND	-0.3 to 20	V	
V_{SET}	Output voltage (SET pin to GND)	-0.3 to 5.5	V	
P_{DIS}	Power dissipation	TDFN8	2.66	W
		TSSOP8	0.53	W

1. Reflow at peak temperature of 255°C to 260°C for < 30 seconds (total thermal budget not to exceed 180°C for between 90 to 150 seconds).

5 DC and AC parameters

This section summarizes the operating measurement conditions, and the dc and ac characteristics of the device. The parameters in the DC and AC characteristics tables that follow, are derived from tests performed under the Measurement Conditions summarized in [Table 5](#), Operating and ac Measurement Conditions. Designers should check that the operating conditions in their circuit match the operating conditions when relying on the quoted parameters.

Table 5. Operating and AC measurement conditions

Parameter	Conditions	Unit
V _{DD} supply voltage	2.25 to 3.6	V
V _{DD} EEPROM programming supply voltage	2.25 to 3.6	V
AV _{DD} reference voltage	4.5 to 20	V
Ambient operating temperature (T _A)	-40 to 85	°C

Table 6. Capacitances

Symbol	Parameter ⁽¹⁾⁽²⁾	Min	Max	Unit
C _b	Bus capacitive load		400	pF
C _{SDA}	Capacitance on SDA		10	pF
C _S	Capacitance on SCL	WP = 0	10	pF
		WP = 1	22	pF

1. Effective capacitance measured with power supply at 3V. Sampled only, not 100% tested.

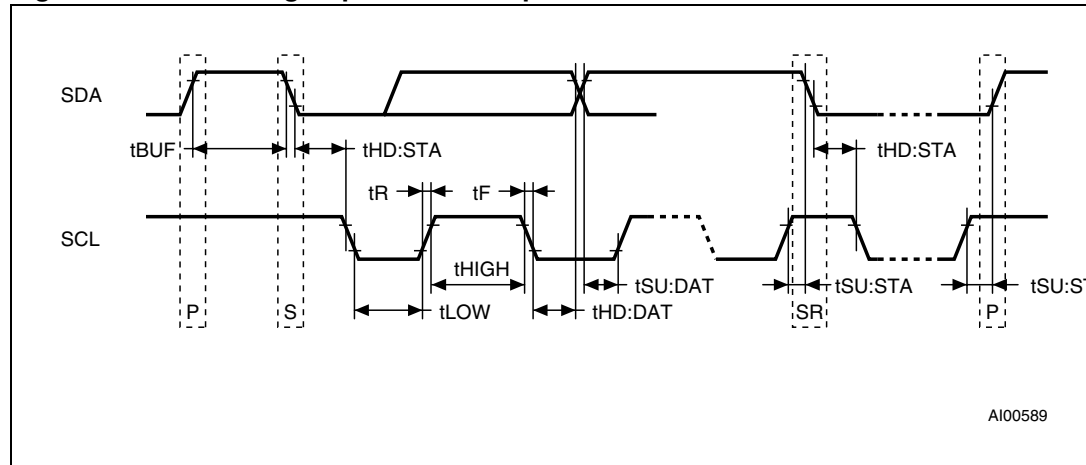
2. At 25°C, f = 1MHz.

Table 7. DC and AC characteristics

Sym	Description	Test Condition ⁽¹⁾	Min	Typ	Max	Unit
V _{DD}	Supply voltage		2.25		3.6	V
	EEPROM programming supply voltage		2.25		3.6	V
I _{DD} ⁽²⁾	V _{DD} supply current				50	μA
AV _{DD}	Analog supply voltage	V _{DD} = 2.6V to 3.6V	4.5		20	V
		V _{DD} = 2.25V to 3.6V	4.5		13	V
I _{AVDD} ⁽³⁾	AV _{DD} supply current				25	μA
SET _{VR}	SET voltage resolution			7		Bits
SET _{DN}	SET differential nonlinearity	Monotonic over temperature			±1	LSB
SET _{ZSE}	SET zero scale error				±2	LSB
SET _{FSE}	SET full scale error				±8	LSB
I _{SET} ⁽⁴⁾	SET current	Through R _{SET}			120	μA
SET _{ER}	SET external resistance	To GND, AV _{DD} = 20V	10		200	kΩ
		To GND, AV _{DD} = 4.5V	2.25		45	kΩ
AV _{DD} to SET	AV _{DD} to SET voltage attenuation ⁽⁵⁾			20		V/V
OUT _{ST}	OUT settling time			8		μs
V _{OUT}	OUT voltage		V _{SET} + 0.5V		13	V
SET _{VD}	SET voltage drift ⁽⁵⁾	T = 25°C to 55°C		<10		mV
V _{IH}	SDA, SCL, \overline{WP} input logic high		0.7V _{DD}			V
V _{IL}	SDA, SCL, \overline{WP} input logic low				0.3V _{DD}	V
	SDA, SCL hysteresis ⁽⁵⁾			0.22V _{DD}		V
I _{IL(WPN)}	WP _N input current		15	25	35	μA
V _{OL(s)}	SDA, SCL output logic low	At 3mA			0.4	V

- Valid for ambient operating temperature: T_A = -40 to 85°C; V_{DD} = 3V; AV_{DD} = 10V; typical T_A = 25°C; OUT = 1/2AV_{DD}; R_{SET} = 24.9kΩ (except where noted).
- Simulated maximum current draw when Programming EEPROM is 23mA; should be considered when designing a power supply.
- Tested at AV_{DD} = 20V.
- A typical Current of 20μA is calculated using AV_{DD} = 10V and R_{SET} = 24.9kΩ. The maximum suggested SET current should be 120μA.
- Simulated and determined via design and NOT directly tested.

Figure 9. Bus timing requirements sequence



AI00589

Table 8. AC characteristics

Sym	Description	Test Condition ⁽¹⁾	Min	Typ	Max	Unit
f _{SCL}	SCL clock frequency		0		400	kHz
t _{LOW}	Clock low period		1.3			μs
t _{HIGH}	Clock high period		0.6			μs
t _{SU:DAT}	Data setup time		100			ns
t _{HD:DAT}	Data hold time		0		900	ns
t _R	SDA and SCL rise time	Dependent on load (see Table 6 on page 14)		20 +	300	ns
t _F	SDA and SCL fall time			0.1C _b	300	ns
t _{BUF}	Bus free time before new transmission can start		1.3			μs
t _{DSP}	I ² C spike rejection filter pulse width		0		50	ns
t _{SU:STA}	Repeated start condition setup time		0.6			μs
t _{HD:STA}	Repeated start condition hold time		0.6			μs
t _{SU:STO}	Stop condition setup time		0.6			μs
t _W	WRITE cycle time				100	ms

1. Valid for ambient operating temperature: T_A = -40 to 85°C; V_{DD} = 3.0V to 3.6V; AV_{DD} = 10V; OUT = 1/2AV_{DD}; R_{SET} = 24.9kΩ (except where noted, see [Figure 9](#)).

6 Typical operating characteristics

Typical operating characteristics for the STVM100 are $T_A = 25^\circ\text{C}$, $V_{DD} = 3\text{V}$, $AV_{DD} = 10\text{V}$, $OUT = 1/2 AV_{DD}$, and $R_{SET} = 24.9\text{k}\Omega$ except where noted.

Figure 10. V_{DD} supply current v's V_{DD}

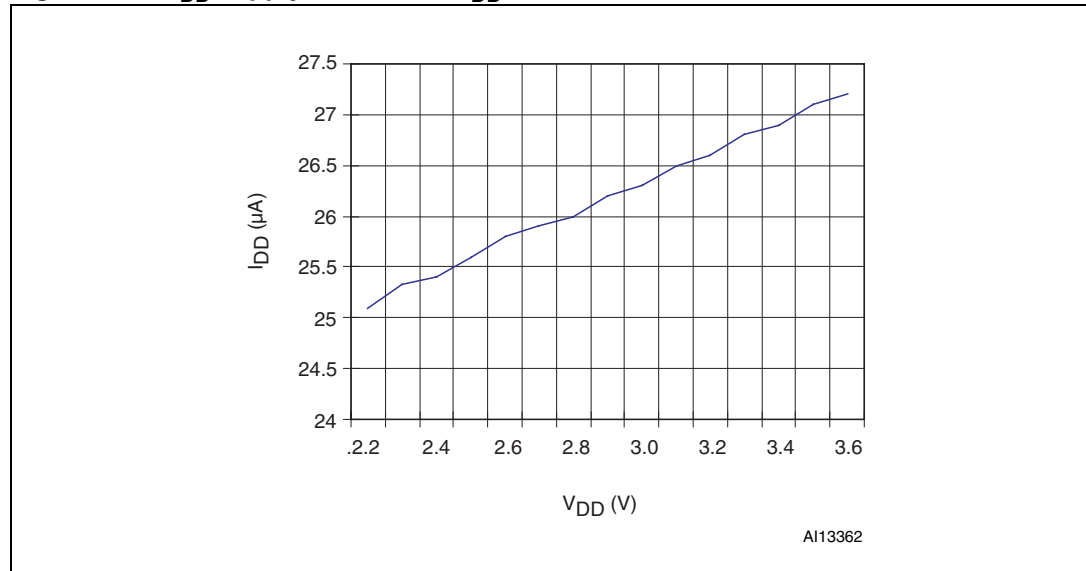


Figure 11. AV_{DD} supply current v's AV_{DD}

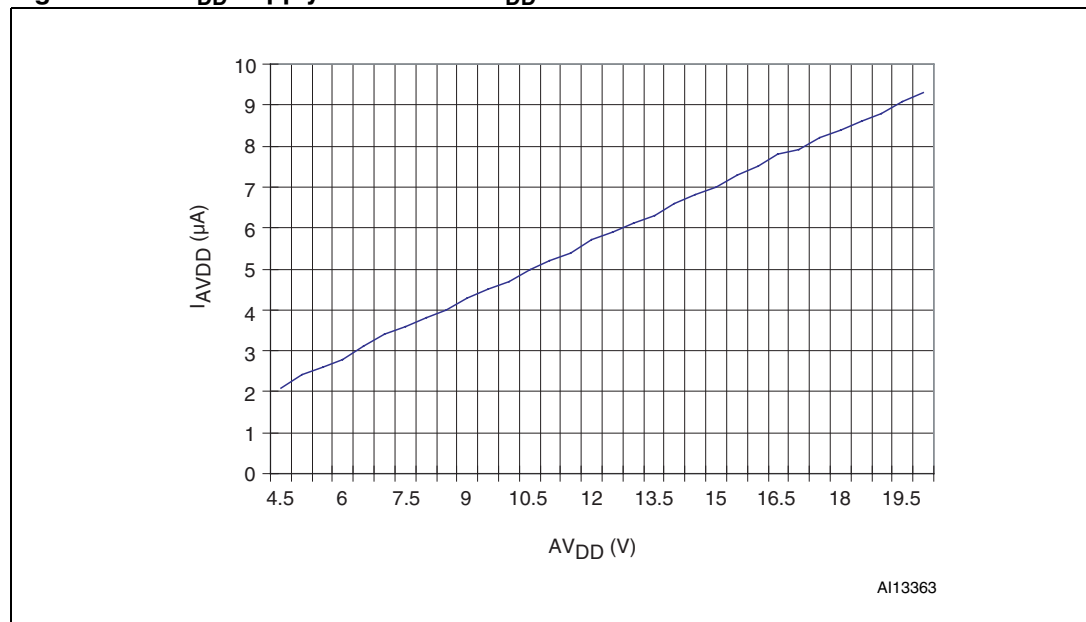


Figure 12. V_{DD} supply current v's temperature

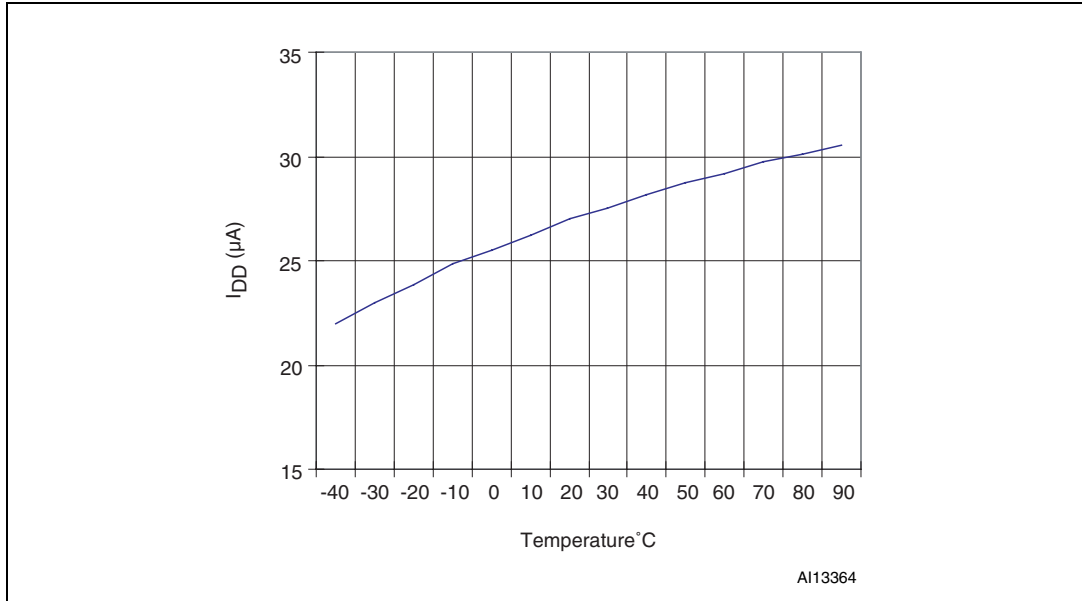


Figure 13. AV_{DD} supply current v's temperature

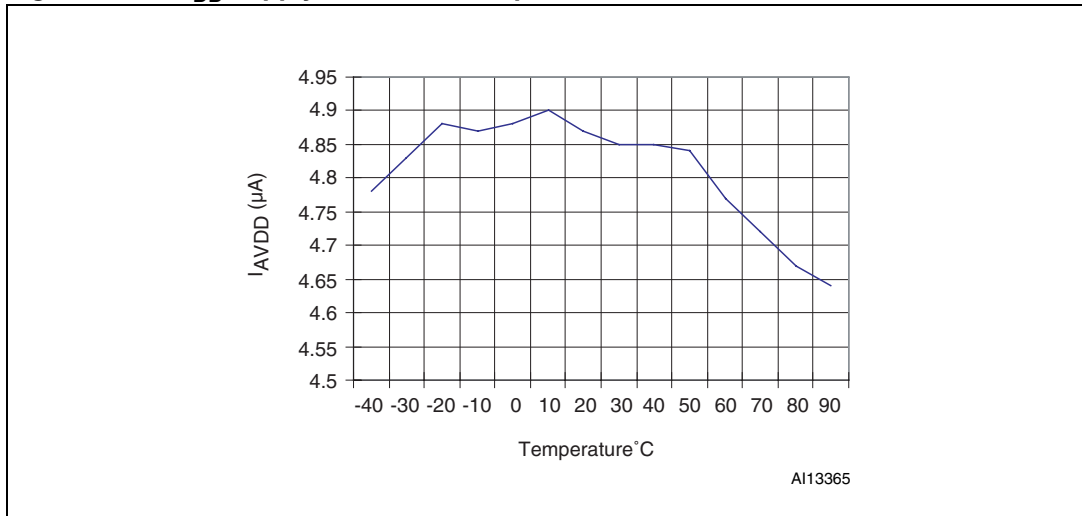


Figure 14. I_{OUT} error v's temperature (STVM100 at middle scale)

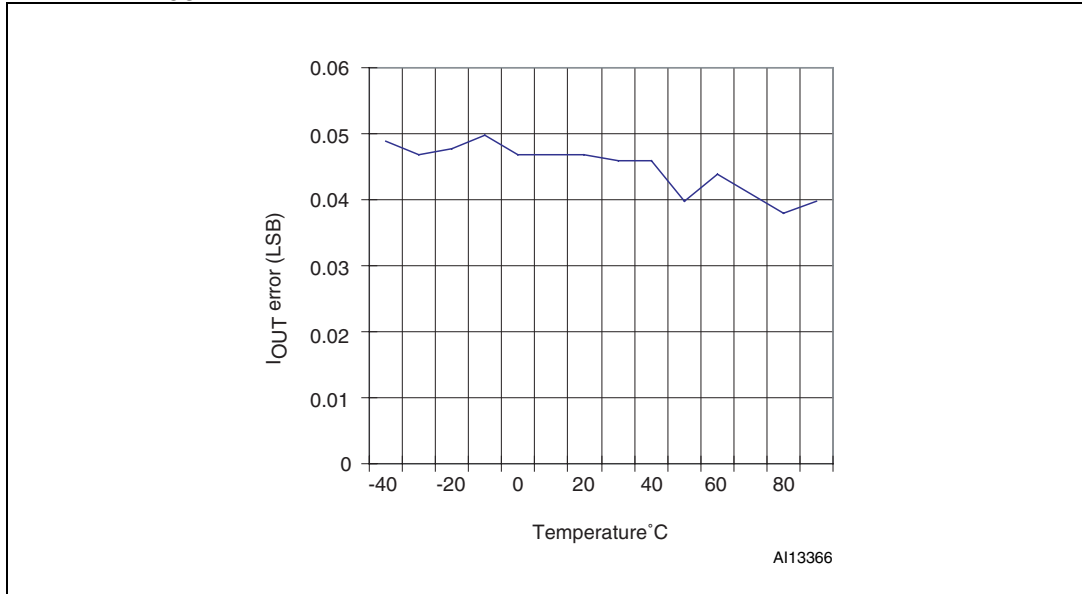


Figure 15. Total unadjusted error v's DAC setting

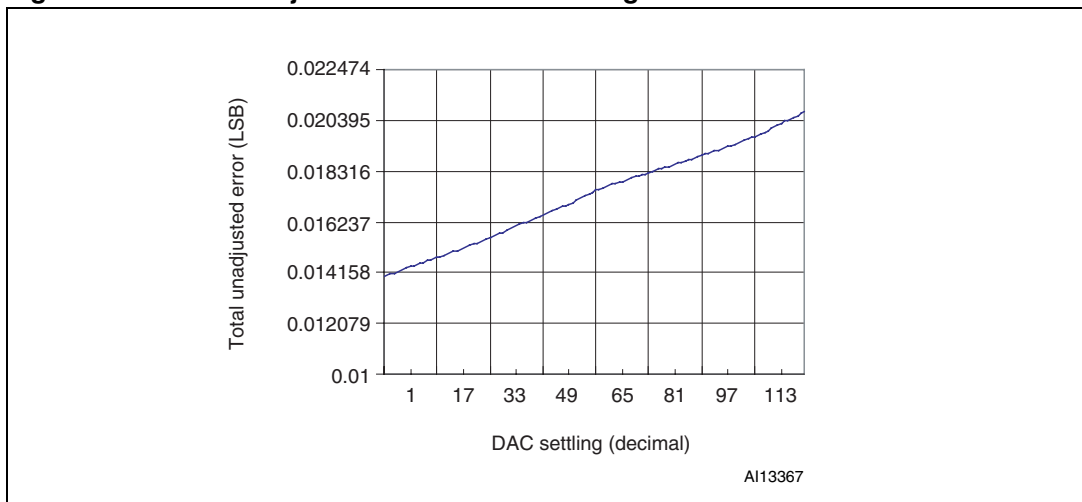


Figure 16. Differential non-linearity v's DAC setting

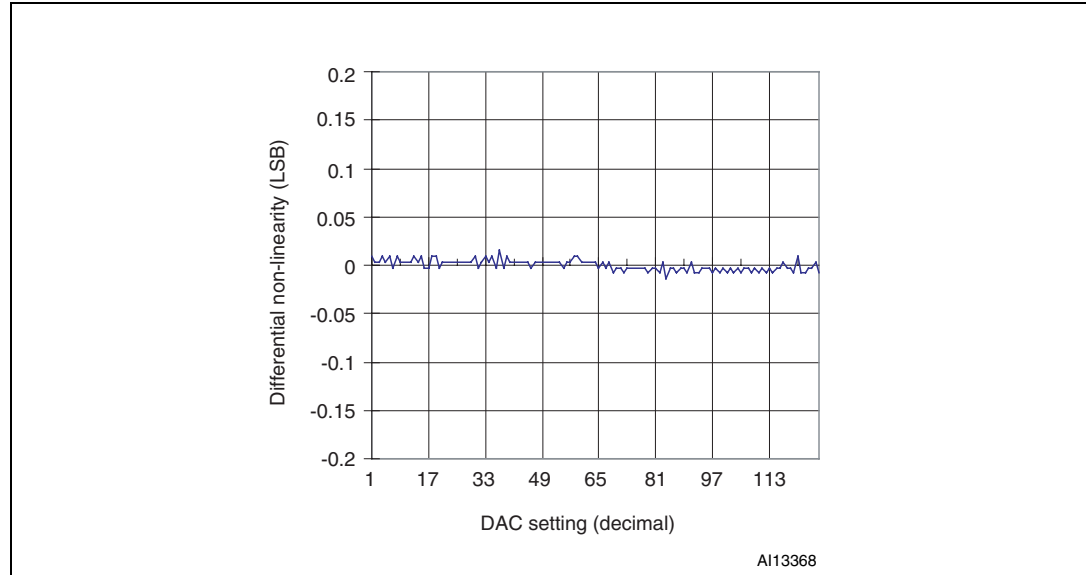


Figure 17. Integral non-linearity v's DAC setting

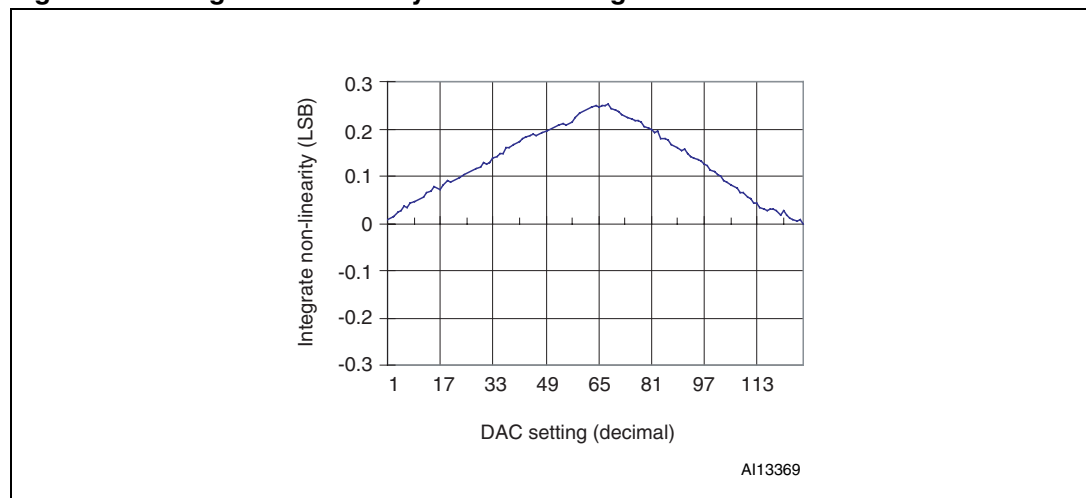


Figure 18. AV_{DD} power-up response

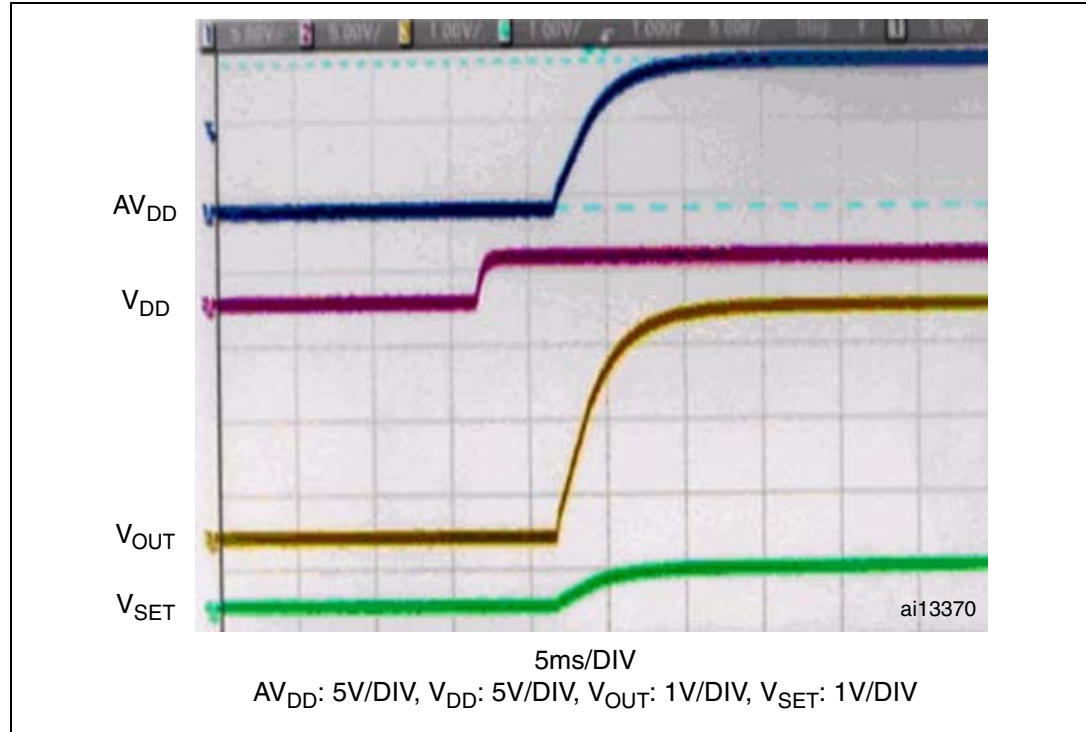


Figure 19. Full scale-up response

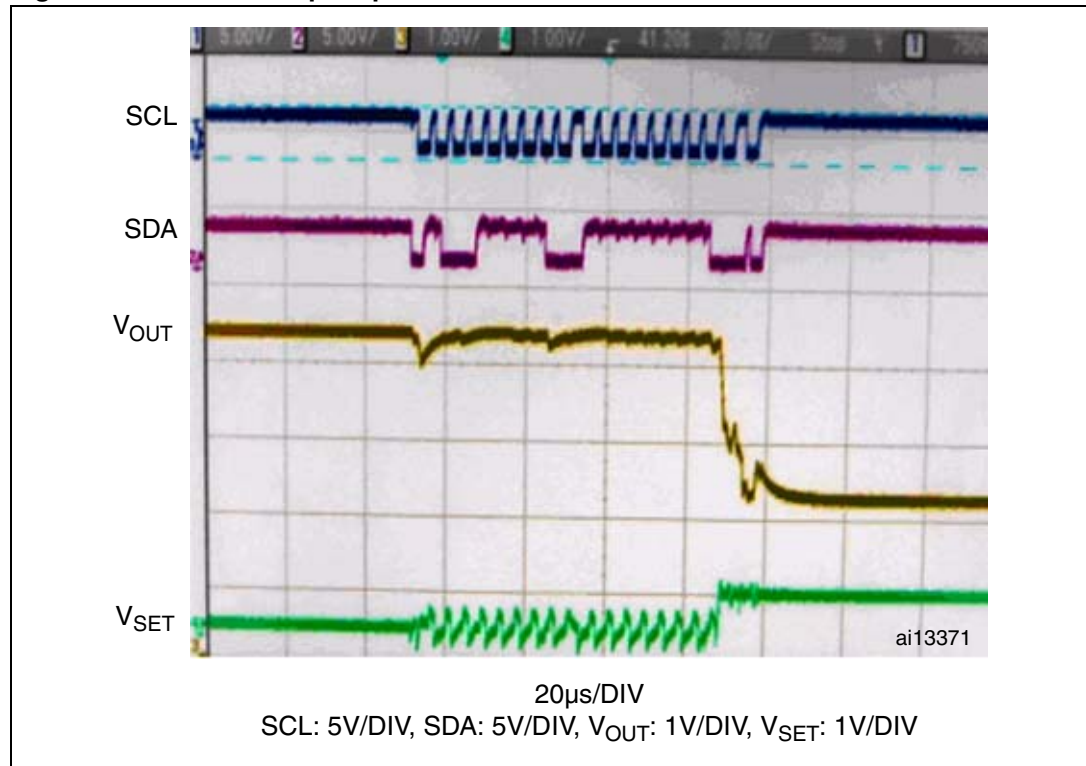
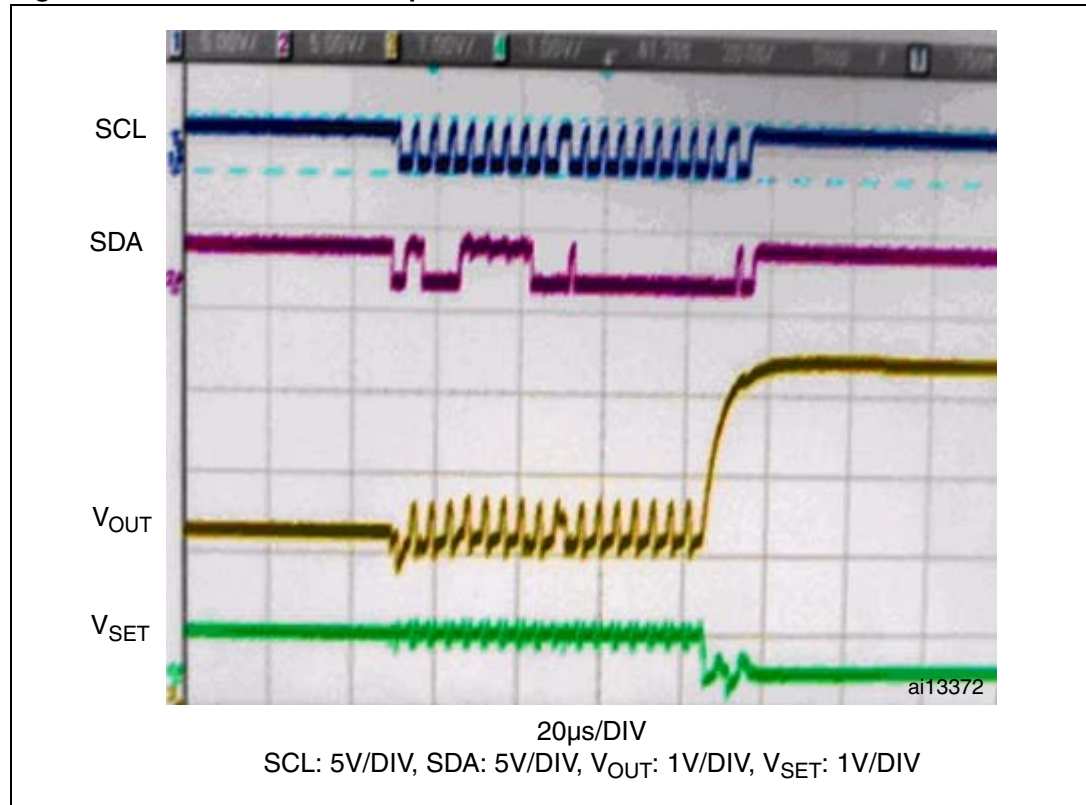


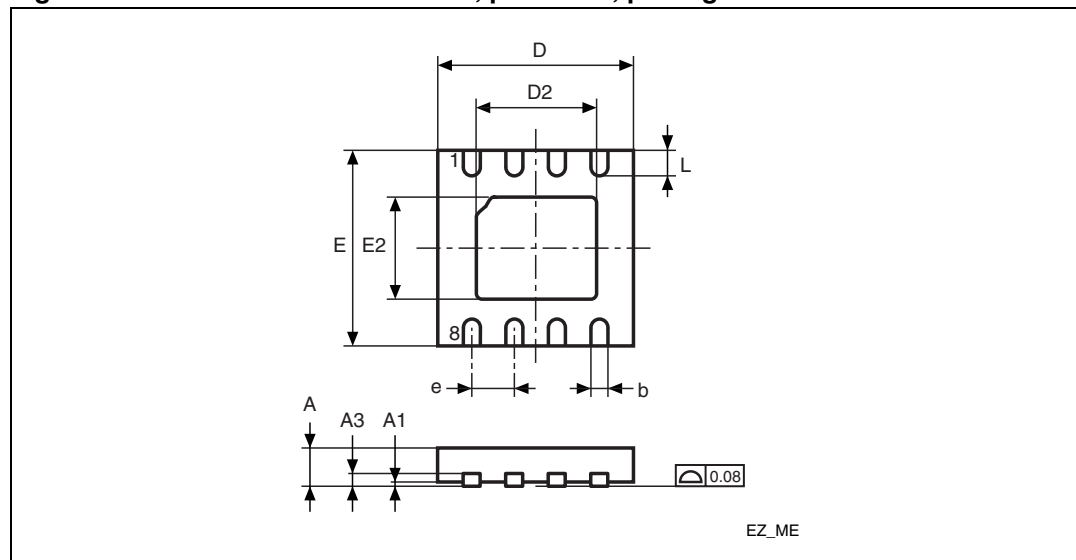
Figure 20. Full scale-down response



7 Package mechanical

In order to meet environmental requirements, ST offers these devices in ECOPACK[®] packages. These packages have a Lead-free second level interconnect. The category of second Level Interconnect is marked on the package and on the inner box label, in compliance with JEDEC Standard JESD97. The maximum ratings related to soldering conditions are also marked on the inner box label. ECOPACK is an ST trademark. ECOPACK specifications are available at: www.st.com.

Figure 21. MLPD-DFN 3 x 3 x .75mm, pitch 0.65, package mechanical data

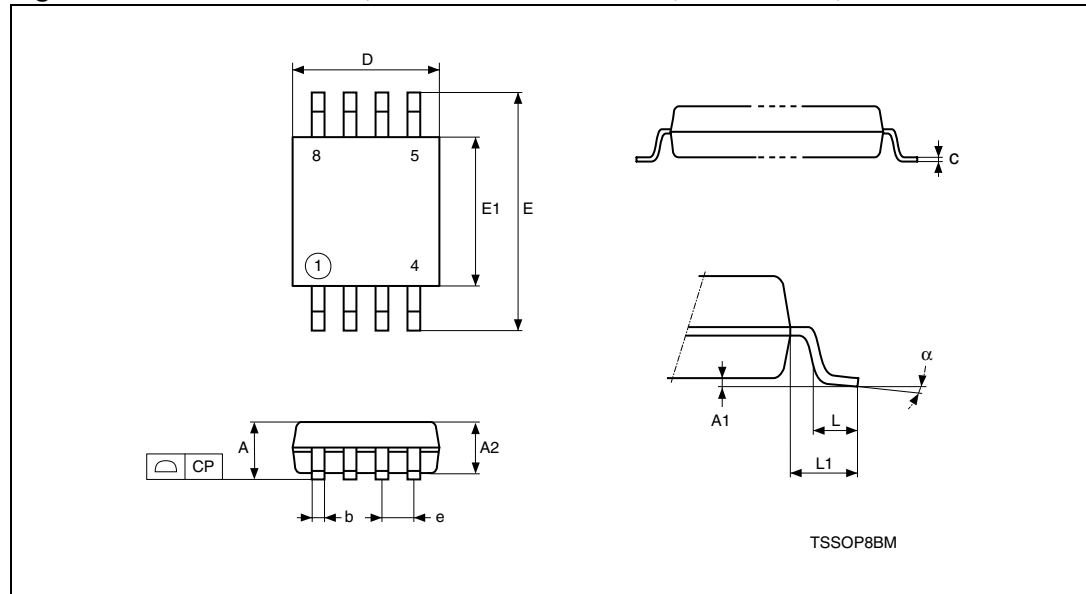


1. Drawing is not to scale.

Table 9. MLPD-DFN 3 x 3 x .75mm, pitch 0.65, package mechanical data

Sym	mm			inches		
	Typ	Min	Max	Typ	Min	Max
A	0.75	0.70	0.80	0.0295	0.0276	0.0315
A1	0.02	0.00	0.05	0.0008	0.0000	0.0020
A3	0.20			0.0079		
b	0.30	0.25	0.35	0.0118	0.0098	0.0138
D	3.00			0.1181		
D2	2.38	2.23	2.48	0.0937	0.0878	0.0976
E	3.00			0.1181		
E2	1.64	1.49	1.74	0.0646	0.0587	0.0685
e	0.65	–	–	0.0256	–	–
L	0.40	0.30	0.50	0.0157	0.0118	0.0197

Figure 22. TSSOP8 – 8-lead, thin shrink small outline, 3mm x 3mm, mech. data



Note: Drawing is not to scale.

Table 10. TSSOP8 – 8-lead, thin shrink small outline, 3mm x 3mm, mech. data

Sym	mm			inches		
	Typ	Min	Max	Typ	Min	Max
A			1.100			0.0433
A1		0.050	0.150		0.0020	0.0059
A2	0.850	0.750	0.950	0.0335	0.0295	0.0374
b		0.250	0.400		0.0098	0.0157
c		0.130	0.230		0.0051	0.0091
CP			0.100			0.0039
D	3.000	2.900	3.100	0.1181	0.1142	0.1220
e	0.650	–	–	0.0256	–	–
E	4.900	4.6500	5.150	0.1929	0.1831	0.2028
E1	3.000	2.900	3.100	0.1181	0.1142	0.1220
L	0.550	0.400	0.700	0.0217	0.0157	0.0276
L1	0.950			0.0374		
α		0°	6°		0°	6°
N		8			8	

8 Part numbering

Table 11. Ordering information scheme

Example:

STVM100 DC 6 F

Device type

STVM100, V_{COM} calibrator with 7-bit DAC and I²C interface

Package

DC = TDFN8

DS = TSSOP8

Temperature range

6 = -40 to 85°C

Shipping method

E = ECOPACK package, tubes

F = ECOPACK package, tape & reel

For other options, or for more information on any aspect of this device, please contact the ST sales office nearest you.

9 Revision history

Table 12. Revision history

Date	Revision	Changes
09-May-2006	1	Initial release.
14-Jul-2006	2	Graphical and textual updates
08-Nov-2006	3	Document status upgraded to Preliminary Data; changed the wording of Input function to include 'WRITE operations' instead of 'programming' in Table 2: Pin names and functions ; deleted some bracketed text and modified the P bit function in Section 2.2: Read mode ; ensured that all of Equation 2 and Equation 3 were visible; amalgamated 2 cells containing the same information (V_{DD}) in Table 7: DC and AC characteristics ; deleted footnotes 2 and 3 of Table 8: AC characteristics ; updated package mechanical information in Figure 21 , Table 9 , and Table 10 .
12-Feb-2007	4	Reformatted Inside Cover Page according to new template; renamed section 1 Device overview and section 2 Device operation ; deleted Signal names table; moved and renamed Table 2: Pin names and functions , added Section 6: Typical operating characteristics and Figure 10 to Figure 20 .
20-Apr-2007	5	Value added in Section 2.3: Write mode .
24-Jul-2007	6	Document status upgraded to full datasheet.

Please Read Carefully:

Information in this document is provided solely in connection with ST products. STMicroelectronics NV and its subsidiaries ("ST") reserve the right to make changes, corrections, modifications or improvements, to this document, and the products and services described herein at any time, without notice.

All ST products are sold pursuant to ST's terms and conditions of sale.

Purchasers are solely responsible for the choice, selection and use of the ST products and services described herein, and ST assumes no liability whatsoever relating to the choice, selection or use of the ST products and services described herein.

No license, express or implied, by estoppel or otherwise, to any intellectual property rights is granted under this document. If any part of this document refers to any third party products or services it shall not be deemed a license grant by ST for the use of such third party products or services, or any intellectual property contained therein or considered as a warranty covering the use in any manner whatsoever of such third party products or services or any intellectual property contained therein.

UNLESS OTHERWISE SET FORTH IN ST'S TERMS AND CONDITIONS OF SALE ST DISCLAIMS ANY EXPRESS OR IMPLIED WARRANTY WITH RESPECT TO THE USE AND/OR SALE OF ST PRODUCTS INCLUDING WITHOUT LIMITATION IMPLIED WARRANTIES OF MERCHANTABILITY, FITNESS FOR A PARTICULAR PURPOSE (AND THEIR EQUIVALENTS UNDER THE LAWS OF ANY JURISDICTION), OR INFRINGEMENT OF ANY PATENT, COPYRIGHT OR OTHER INTELLECTUAL PROPERTY RIGHT.

UNLESS EXPRESSLY APPROVED IN WRITING BY AN AUTHORIZED ST REPRESENTATIVE, ST PRODUCTS ARE NOT RECOMMENDED, AUTHORIZED OR WARRANTED FOR USE IN MILITARY, AIR CRAFT, SPACE, LIFE SAVING, OR LIFE SUSTAINING APPLICATIONS, NOR IN PRODUCTS OR SYSTEMS WHERE FAILURE OR MALFUNCTION MAY RESULT IN PERSONAL INJURY, DEATH, OR SEVERE PROPERTY OR ENVIRONMENTAL DAMAGE. ST PRODUCTS WHICH ARE NOT SPECIFIED AS "AUTOMOTIVE GRADE" MAY ONLY BE USED IN AUTOMOTIVE APPLICATIONS AT USER'S OWN RISK.

Resale of ST products with provisions different from the statements and/or technical features set forth in this document shall immediately void any warranty granted by ST for the ST product or service described herein and shall not create or extend in any manner whatsoever, any liability of ST.

ST and the ST logo are trademarks or registered trademarks of ST in various countries.

Information in this document supersedes and replaces all information previously supplied.

The ST logo is a registered trademark of STMicroelectronics. All other names are the property of their respective owners.

© 2007 STMicroelectronics - All rights reserved

STMicroelectronics group of companies

Australia - Belgium - Brazil - Canada - China - Czech Republic - Finland - France - Germany - Hong Kong - India - Israel - Italy - Japan - Malaysia - Malta - Morocco - Singapore - Spain - Sweden - Switzerland - United Kingdom - United States of America

www.st.com